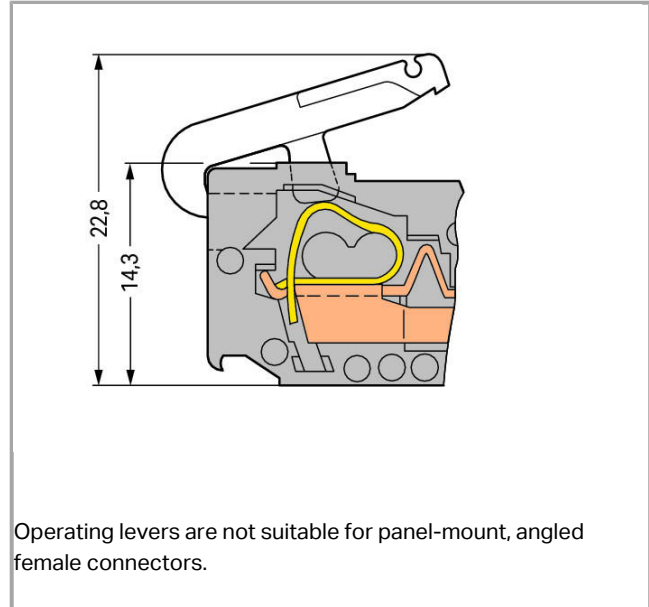


231-131



**Data**

**Technical Data**

Main product function	Operating tool
Spacing	1 -way

**Geometrical Data**

Pin spacing	5/7.62 mm
-------------	-----------

**Material Data**

Weight	0.35 g
--------	--------

**Commercial data**

Product Group	3 (Multi Conn. System)
Country of origin	DE
GTIN	4017332283168
Customs Tariff No.	82055980000



## Compatible products

### Marking accessories



**Item no.: 210-833**

Marking strips; on reel; 6 mm wide; plain; Self-adhesive

210-833



**Item no.: 210-834**

Marking strips; on reel; 5 mm wide; plain; Self-adhesive

210-834

## Downloads

### CAD/CAE - Smart Data

#### CAD data

3D Download 231-131

URL

Download

Subject to changes.